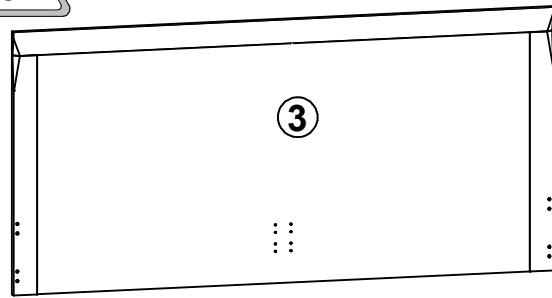
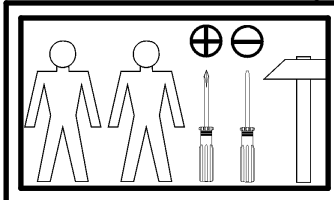
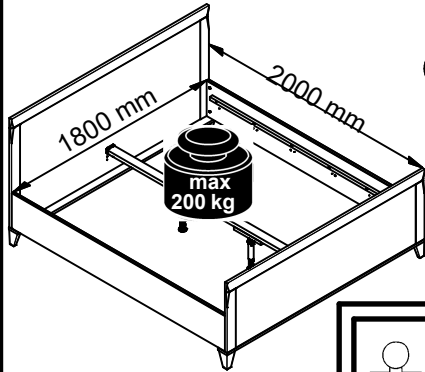


A

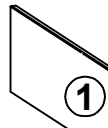
BERGEN

S359-LOZ/180

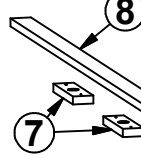
A	B	C	D	
1	S359-1045	1996	288	3/4
2	S359-1046	1996	288	3/4
3	S359-4013	1848	884	1/4
4	S359-4014	1848	564	2/4
5	S359-4015	1852	86	3/4
6	ZZ1-747	1880	25	3/4
7	ZZ1-759	250	70	3/4
8	ZZ1-767	1983	70	3/4



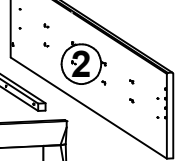
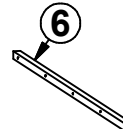
5



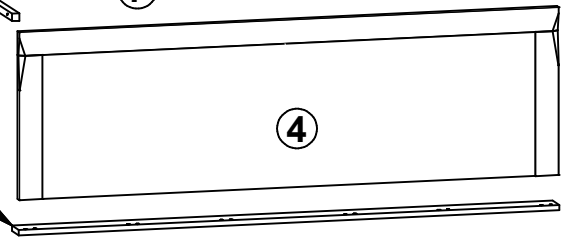
6



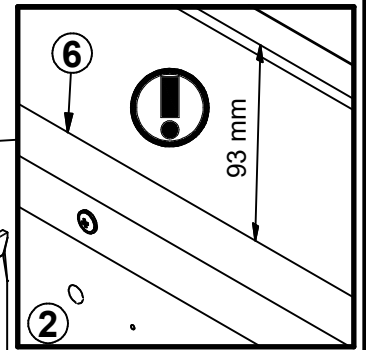
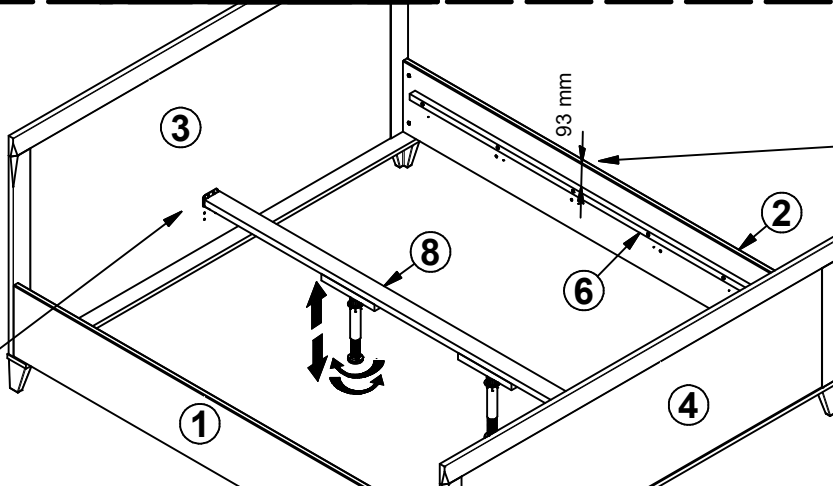
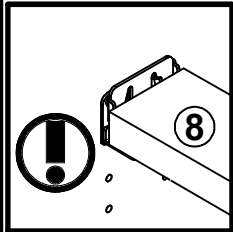
7



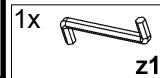
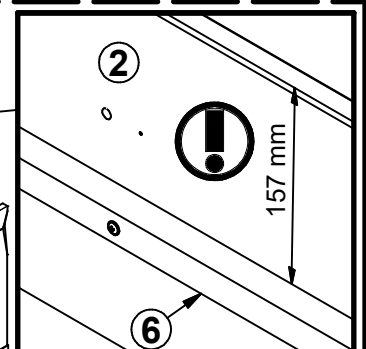
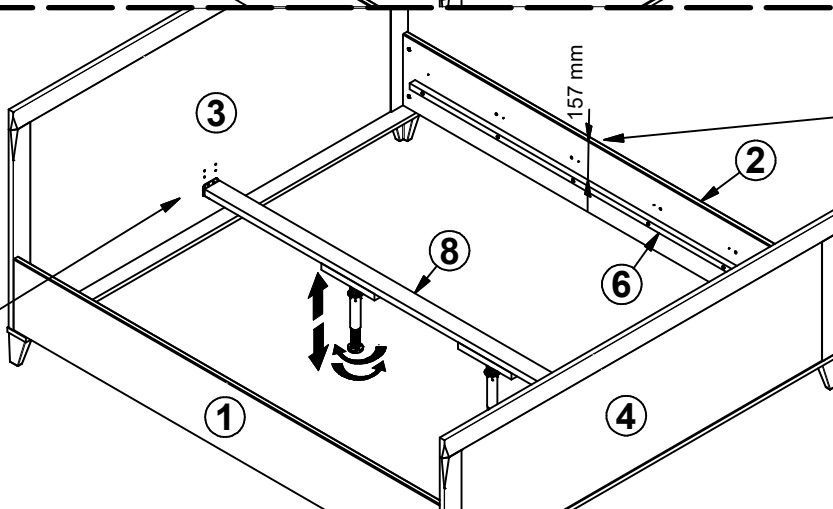
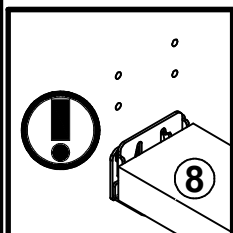
5



A



B



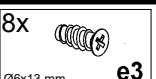
1x z1



12x e1 Ø7x50 mm



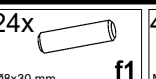
16x e2 Ø6.3x13 mm



8x e3 Ø6x13 mm



12x e58 Ø5x18 mm



24x f1 Ø8x30 mm



4x j144 M6x60 mm



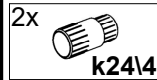
4x k125



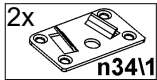
2x k24/2



2x k24/3



2x k24/4



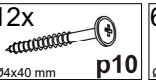
2x n34/1



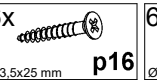
2x n34/2



2x n63 130x34x34/2 mm



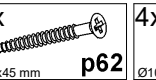
12x p10 Ø4x40 mm



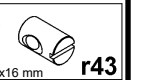
6x p16 Ø3.5x25 mm



6x p6 Ø4x35 mm

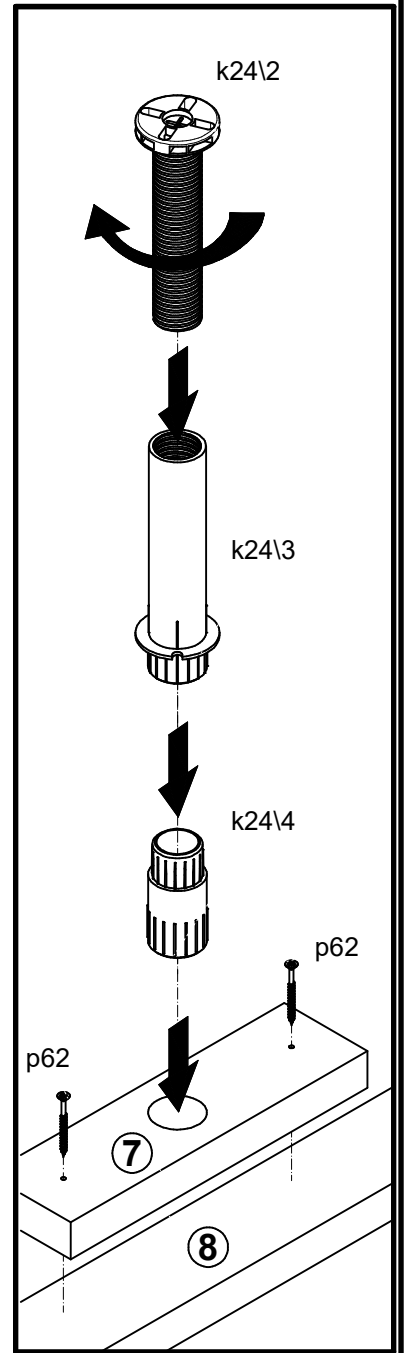
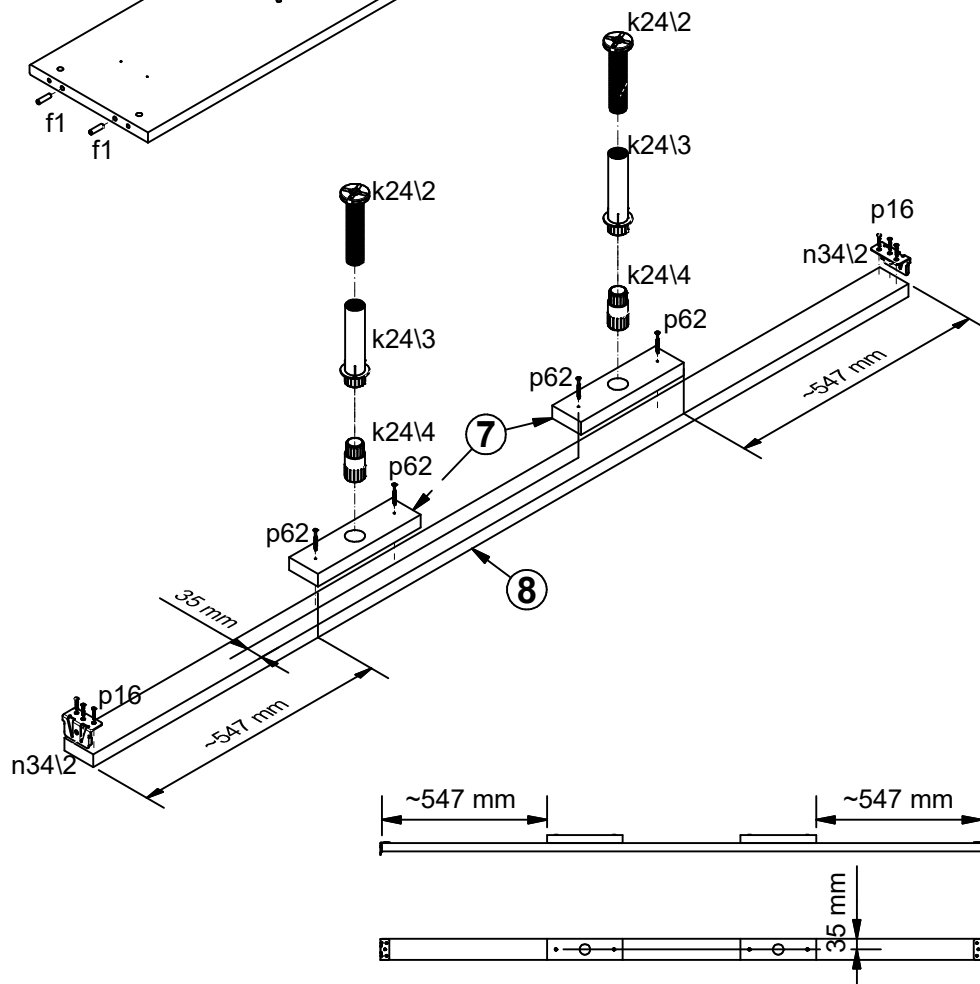
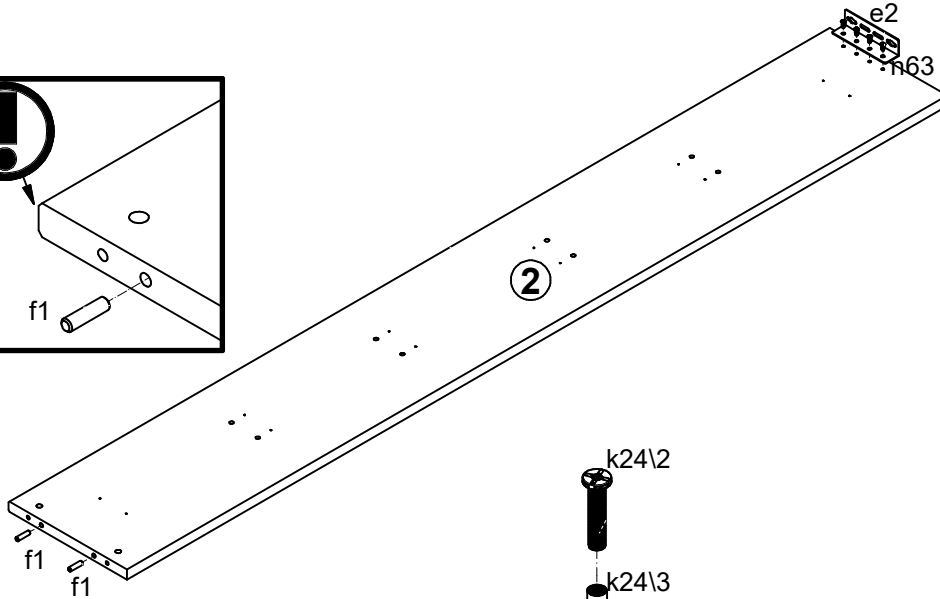
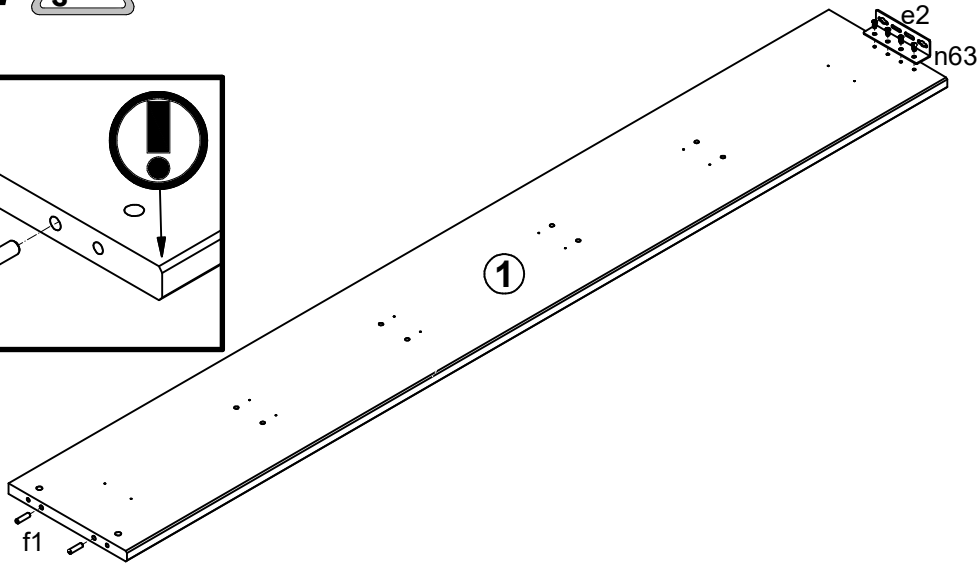
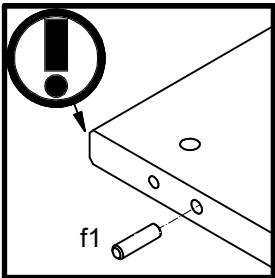
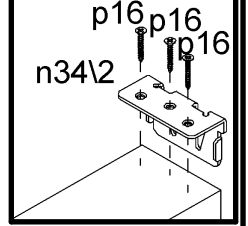
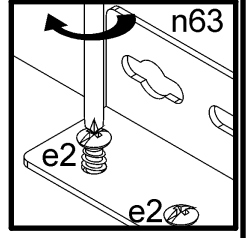
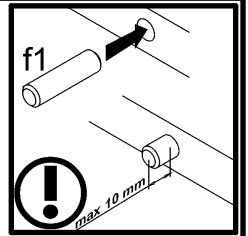
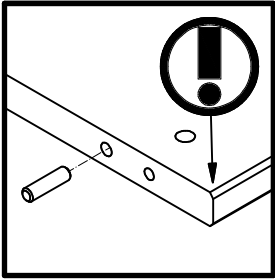


4x p62 Ø4x45 mm

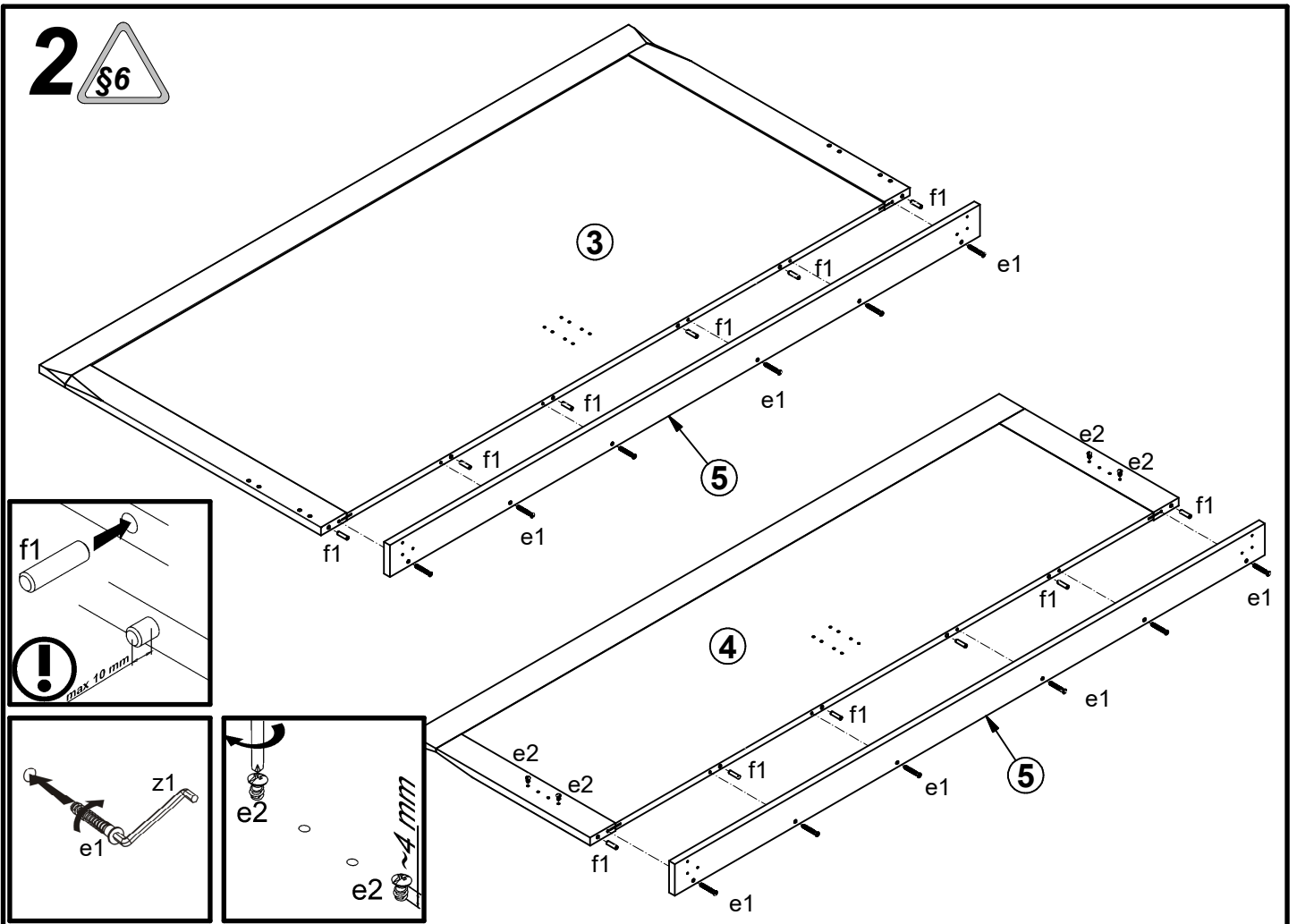


4x r43 Ø10x16 mm

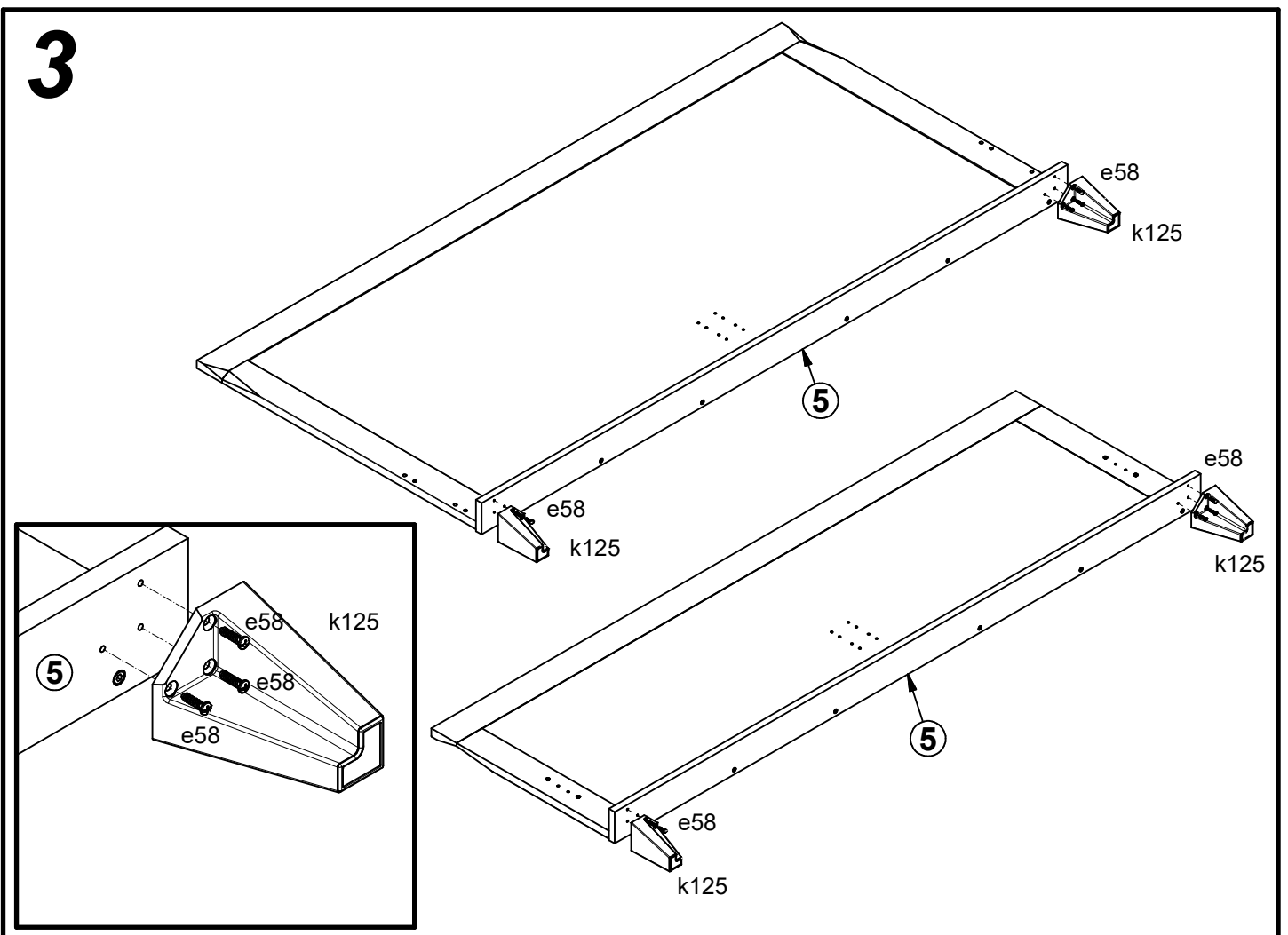
1 §2



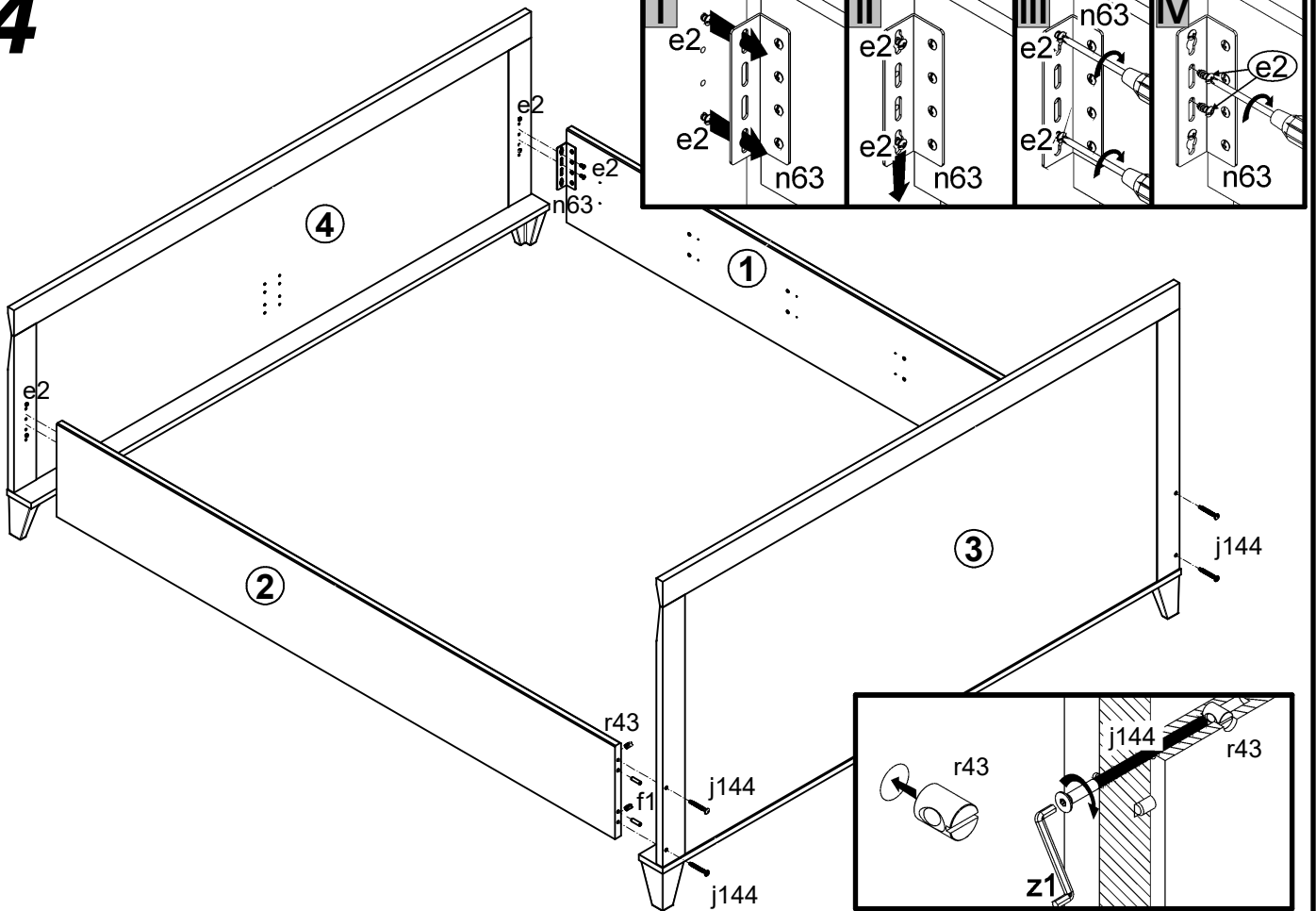
2 



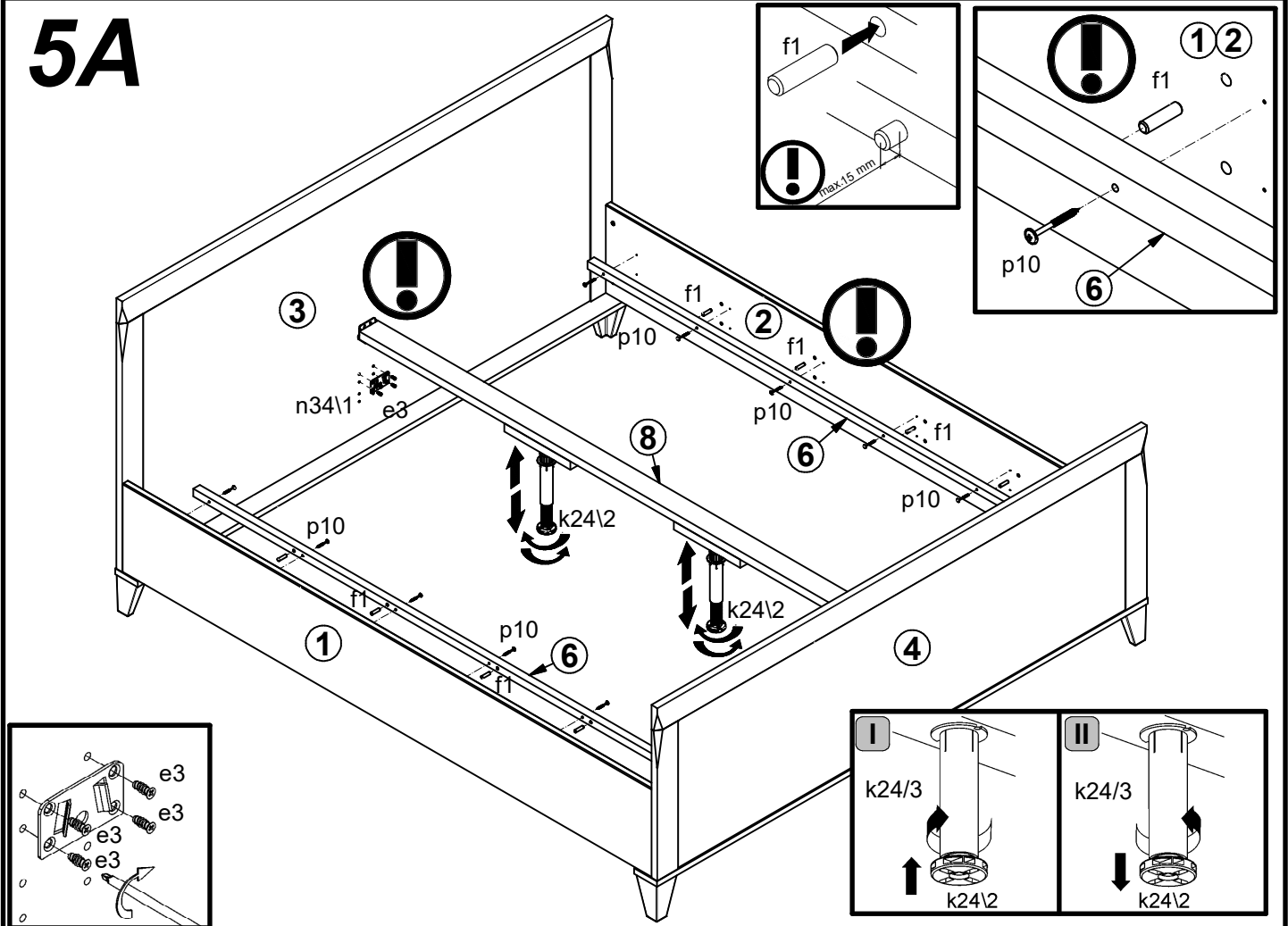
3



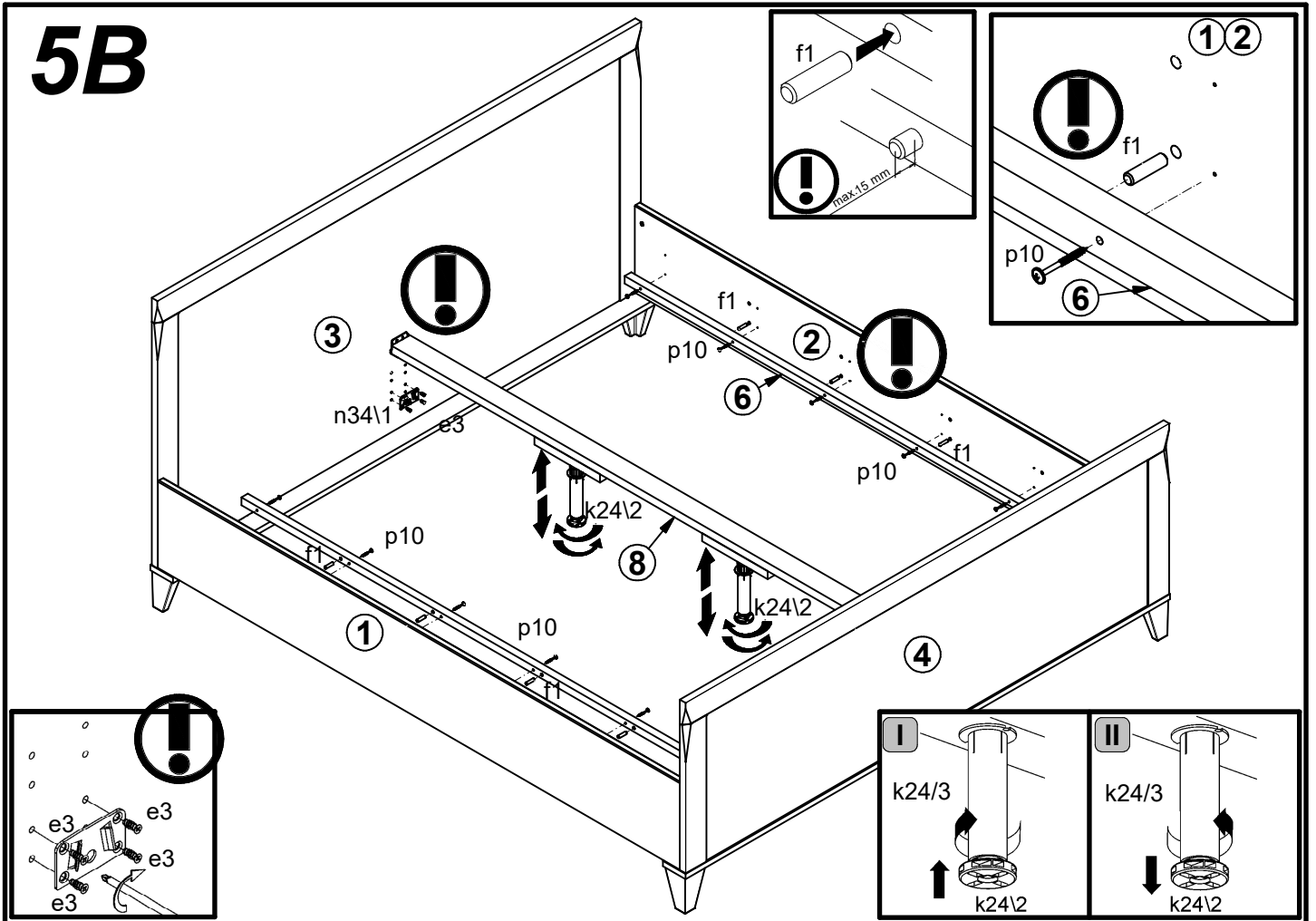
4



5A



5B



6

